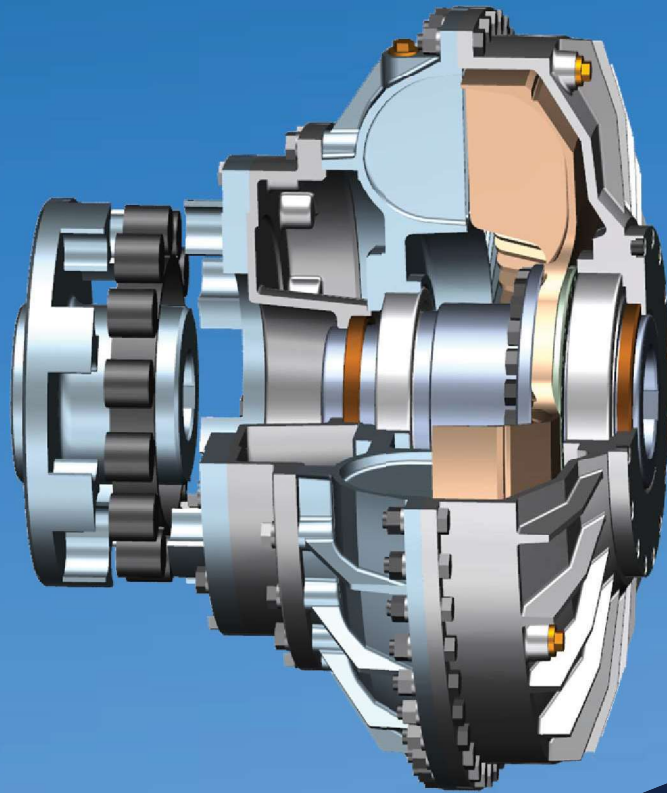
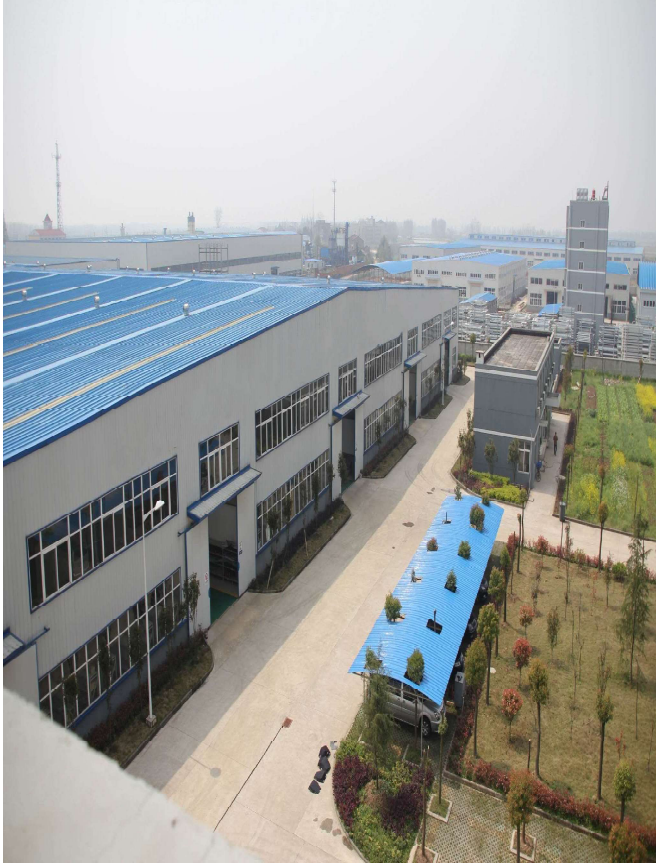


Torque limiting hydraulic coupling

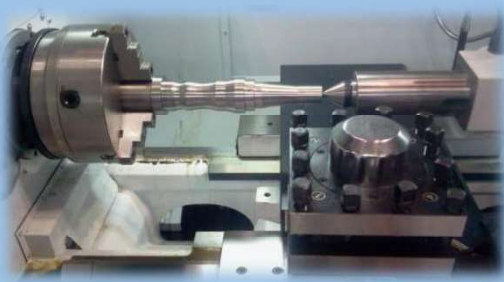


Dalian Mairuisheng
Transmission
Machinery
Equipment Co., Ltd.

Introduction



The company is a technology-based enterprise that combines production, R&D and sales, and attaches great importance to technological innovation and technical specialization. The company's leading products include: permanent magnet couplings, hydraulic couplings, and permanent magnet speed regulators. The company's independently developed permanent magnet couplings, permanent magnet speed regulators and its series of permanent magnet products have subverted the traditional mechanical transmission operation mode, achieving efficient contactless and frictionless transmission, achieving energy conservation, emission reduction, low carbon and environmental protection, and achieving The purpose of saving energy and protecting the environment.

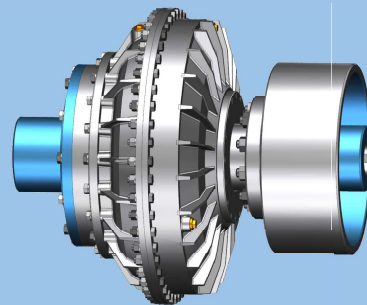
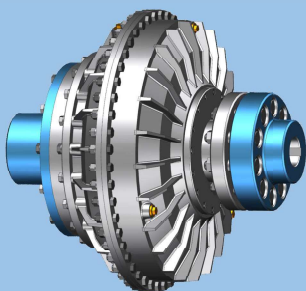
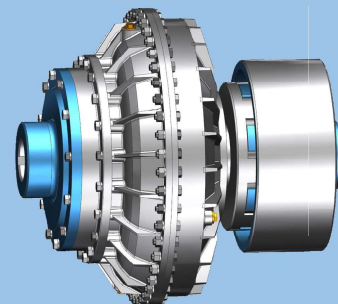
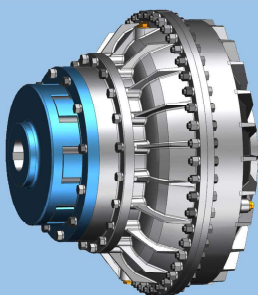


Product Introduction

Hydraulic coupling also known as hydraulic coupling, which is a non-rigid coupling used to connect a power source (usually an engine or motor) with a working machine and transmit torque by changing the momentum moment of the liquid.

Product Features

- 1 Flexible transmission automatic adaptation function.
- 2 It has the function of reducing impact and isolating torsional vibration.
- 3 It can improve the starting ability of the power machine and enable it to start with load or no load.
- 4 Overload protection function to protect the motor and working machine from damage when the external load is overloaded, with an overload coefficient of 2~2.5.
- 5 Coordinate the sequential starting, load balancing and smooth merging of multi-power engines.
- 6 It has the function of delaying the slow start of the working machine and can start the large inertia machinery smoothly.
- 7 It has strong adaptability to the environment and can work in cold, humid, dusty, and explosion-proof environments.
- 8 Inexpensive cage motors can be used instead of expensive coil-wound motors.
- 9 No pollution to the environment.
- 10 It has the function of expanding the stable operation range of the power machine.
- 11 It has a power-saving effect, can reduce the starting current and duration of the motor, and reduce the impact on the power grid.
- 12 It has low failure rate, long service life, and is easy to use, repair and maintain.

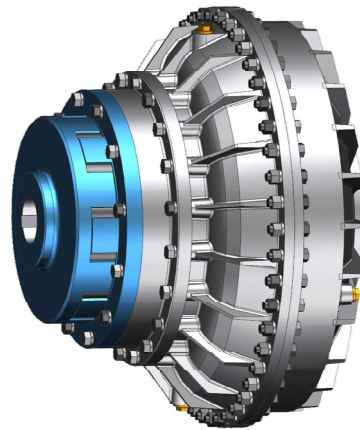
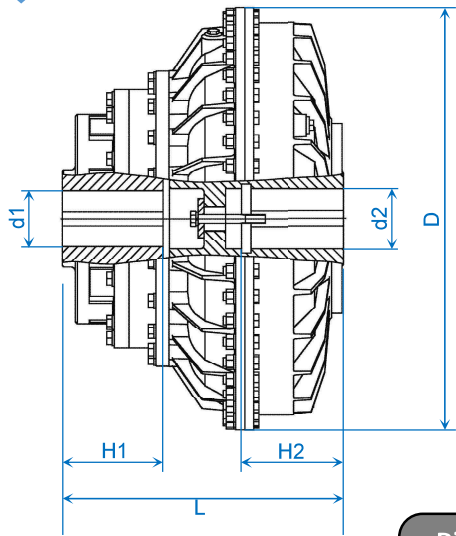


Torque-limiting hydraulic coupling (using oil as medium) specification selection table

Transmission power (KW) input speed (r/min) Specification	500	600	750	1000	1500	3000
206				0.3~ 0.6	1~ 2	8~ 14
220				0.4~ 1.1	1.5~ 3	12~ 16.5
250				0.75~ 1.5	1.5~ 3	12~ 16.5
280				1.5~ 3	4.5~ 8.7	25~ 50
320			1.1~ 2.2	2.5~ 5.5	9~ 18.5	45~ 73
340			1.6~ 3.1	3~ 7.5	12~ 24	
360			2~ 3.8	4.8~ 10	15~ 30	50~ 100
380			2.5~ 5.5	6~ 12	20~ 40	
400			4~ 8	9~ 18.5	22~ 50	80~ 145
420			4.5~ 9	10~ 20	30~ 60	
450			7~ 14	15~ 31	45~ 90	100~ 200
500			11~ 22	25~ 50	70~ 150	
510			12~ 24	27~ 54	75~ 155	
560			18~ 36	41~ 83	130~ 270	
562			20~ 40	45~ 90	145~ 275	
600			25~ 50	60~ 115	180~ 360	
650			37~ 73	90~ 180	240~ 480	
750		36~ 75	70~ 143	165~ 330	380~ 760	
866	43~ 88	70~ 145	135~ 270	310~ 620	766~ 1100	
1000	83~ 165	145~ 300	270~ 595	620~ 1100		
1150	175~ 350	300~ 620	590~ 1200			
1250	265~ 530	450~ 940	880~ 1835			

YOX、YOXII、TVA

External wheel drive direct-connected torque-limiting hydraulic coupling. The reducer end is load-bearing. If the reducer shaft is too thin, it can also be installed upside down and used as a motor bearing to prevent the reducer from breaking the shaft.



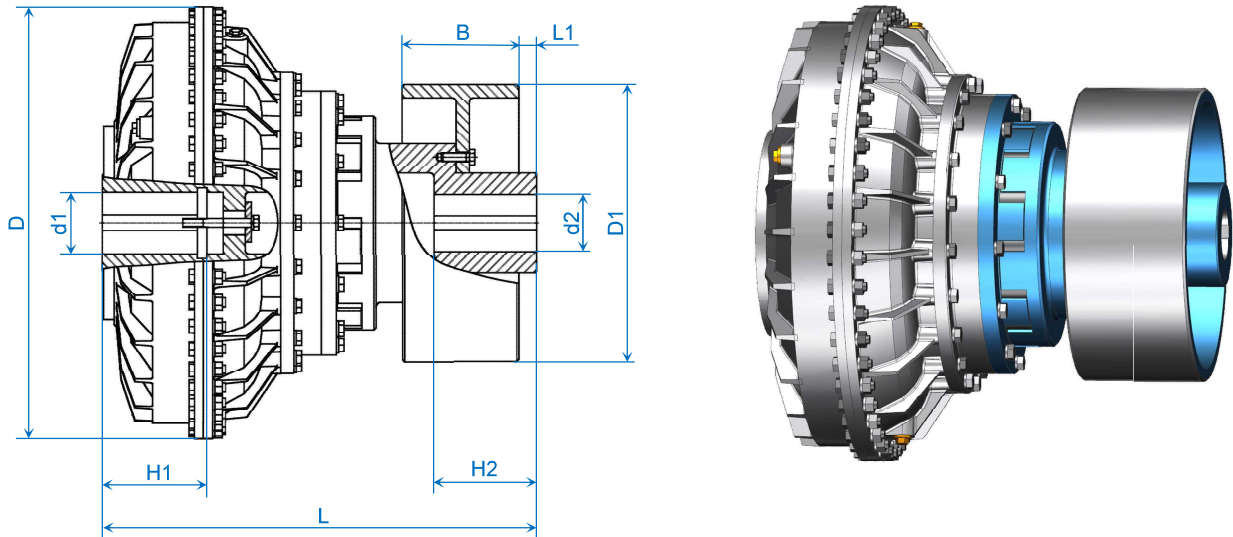
Dimensional parameter table

model	Lmin	D	Input		Output		Oil filling capacity		Weight kg (excluding oil)	Maximum speed (r.min)
			d1max	H1max	d2max H2max		Max.	Min.		
YOX250	220	Ø300	Ø38	60	Ø35	60	1.8	0.9	20	1500
YOX280A	255	Ø345	Ø38	80	Ø40	100	2.8	1.4	21	1500
YOX320	304	Ø388	Ø48	110	Ø45	100	5.2	2.6	39	1500
YOX340	288	Ø390	Ø48	110	Ø45	100	5.8	2.9	50	1500
YOX360	310	Ø430	Ø55	110	Ø55	110	7.1	3.55	55	1500
YOX380	320	Ø450	Ø60	140	Ø60	140	8.4	4.2	65	1500
YOX400(YOXII400)	356	Ø480	Ø60	140	Ø60	140	9.3	4.65	70	1500
YOX420	368	Ø495	Ø60	140	Ø65	140	12	6	73	1500
YOX450(YOXII450)	397	Ø530	Ø75	140	Ø75	140	13	6.5	87	1500
YOX500	411	Ø590	Ø85	170	Ø85	145	19.2	9.6	107	1500
YOX510	426	Ø590	Ø85	170	Ø85	145	19	9.5	107	1500
YOX560	459	Ø650	Ø95	170	Ø110	180	27	13.5	155	1500
TVA562(YOX562)	449/471	Ø634	Ø100	170	Ø110	180	30	15	160	1500
YOX600	474	Ø695	Ø95	170	Ø110	180	36	18	180	1500
TVA650(YOX650)	536	Ø740	Ø125	225	Ø130	200	46	23	270/220	1500
TVA750(YOX750)	603	Ø842	Ø140	250	Ø150	250	68	34	340/310	1500
TVA866(YOX866)	682	Ø978	Ø160	250	Ø160	265	111	55.5	570/525	1500
YOX1000	722	Ø1125	Ø180	250	Ø180	280	144	72	800	1000
YOX1150	830	Ø1295	Ø180	300	Ø180	300	220	110	1100	750
YOX1250	900	Ø1406	Ø200	350	Ø200	350	270	135	1300	750
YOXII500	435	Ø590	Ø85	170	Ø90	170	19.2	9.6	107	1500
YOXII560	489/529	Ø650	Ø120	210	Ø120	210	30	15	155	1500
YOXII650	556	Ø740	Ø130	210	Ø130	210	46	23	220	1500
YOXII750	618	Ø842	Ø140	250	Ø140	250	68	34	310	1500

▲ When H1 and H2 exceed the length of the table, the length of L can be increased accordingly.

YOXIIZ、YOXZL

Inner wheel drive brake wheel type torque limiting hydraulic coupling. This type of product has added braking function, the motor shaft is directly connected to the coupling shaft, has good centering performance and stable operation.

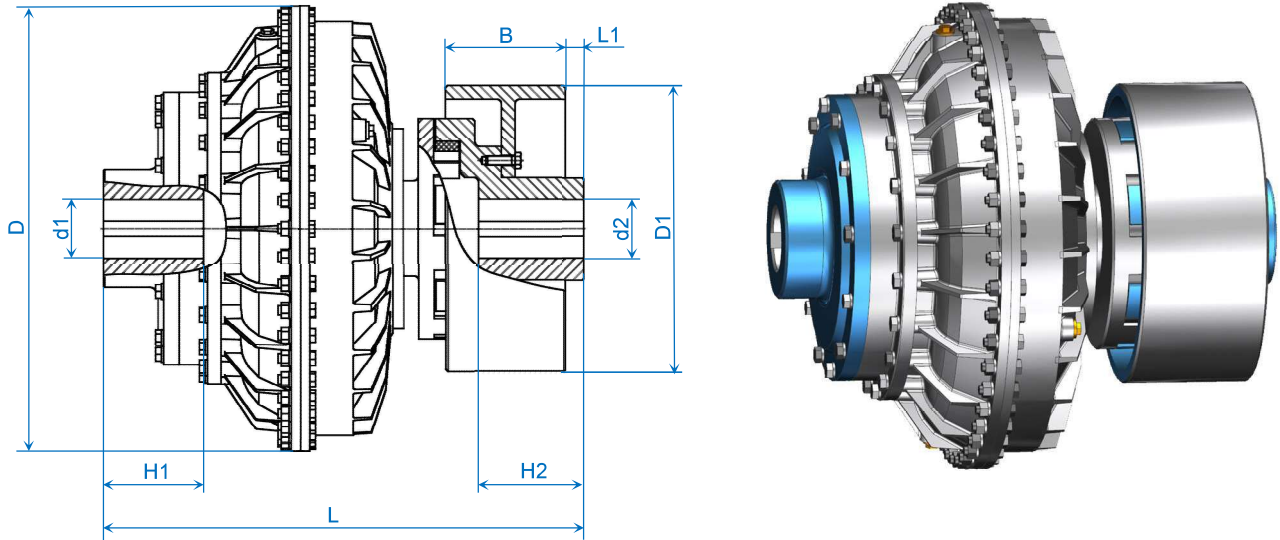


Dimensional parameter table

model	Lmin	D	D1	B	L1	input		output		oil filling capacity		Weight kg (excluding oil)	Maximum speed (r.min)
						d1max	H1max	d2max	H2max	Max.	Min.		
YOXIIZ360	420	Ø430	Ø250	110	10	Ø55	110	Ø55	110	7.1	3.55	80	1500
YOXIIZ400	556	Ø480	Ø315	150	10	Ø60	140	Ø70	140	9.3	4.65	100	1500
YOXIIZ450	580	Ø530	Ø315	150	10	Ø75	140	Ø70	160	13	6.5	120	1500
YOXIIZ500	664	Ø590	Ø400	190	15	Ø85	170	Ø90	170	19.2	9.6	155	1500
YOXIIZ560	736	Ø650	Ø400	190	15	Ø110	210	Ø95	210	27	13.5	215	1500
YOXIIZ600	790	Ø695	Ø500	210	15	Ø110	210	Ø110	210	36	18	285	1500
YOXIIZ650	829	Ø740	Ø500	210	15	Ø125	225	Ø130	200	46	23	345	1500
YOXIIZ750	940	Ø842	Ø630	265	15	Ø140	250	Ø150	250	68	34	430	1500
YOXIIZ866	1040	Ø978	Ø630	265	15	Ø160	250	Ø150	250	111	55.5	880	1000
YOXZL400	517	Ø480	Ø315	135	45	Ø60	140	Ø70	140	9.3	4.65	97	1500
YOXZL420	520	Ø495	Ø315	135	45	Ø60	140	Ø70	140	12	6	110	1500
YOXZL450	565	Ø530	Ø315	135	45	Ø75	140	Ø75	140	13	6.5	118	1500
YOXZL500	570	Ø590	Ø400	170	45	Ø85	170	Ø90	170	19.2	9.6	150	1500
YOXZL560	651	Ø650	Ø400	170	45	Ø110	210	Ø95	170	27	13.5	210	1500
YOXZL600	646	Ø695	Ø500	210	45	Ø110	210	Ø110	180	36	18	280	1500
YOXZL650	655	Ø740	Ø500	210	50	Ø130	200	Ø130	225	46	27	340	1500
YOXZL750	741	Ø842	Ø630	265	50	Ø150	240	Ø150	245	68	34	420	1500
YOXZL866	891	Ø978	Ø630	265	50	Ø160	265	Ø160	280	111	55.5	865	1000
YOXZL1000	972	Ø1125	Ø710	300	50	Ø160	300	Ø160	280	144	72	1050	750

- ▲ 1. When H1 and H2 exceed the listed length, the length of L can be increased accordingly.
- 2. The size of the brake wheel can be customized, and the L and L1 sizes can be adjusted according to the working conditions.

External wheel drive brake wheel type torque limiting hydraulic coupling. This type of product has added braking function, the motor shaft is connected to the coupling input coupling, and is easy to install and disassemble. This type of coupling has a long axial dimension and should be aligned strictly according to regulations.

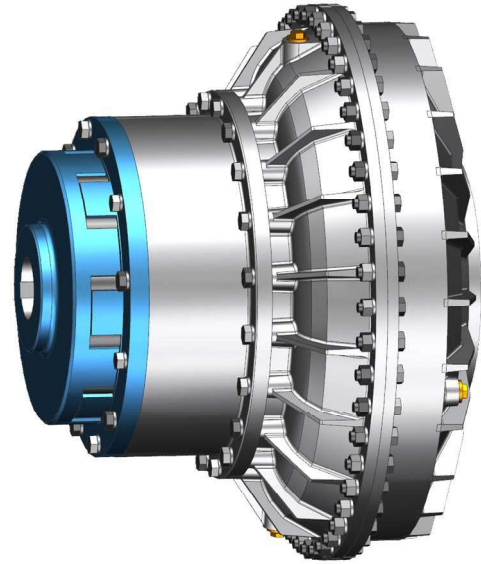
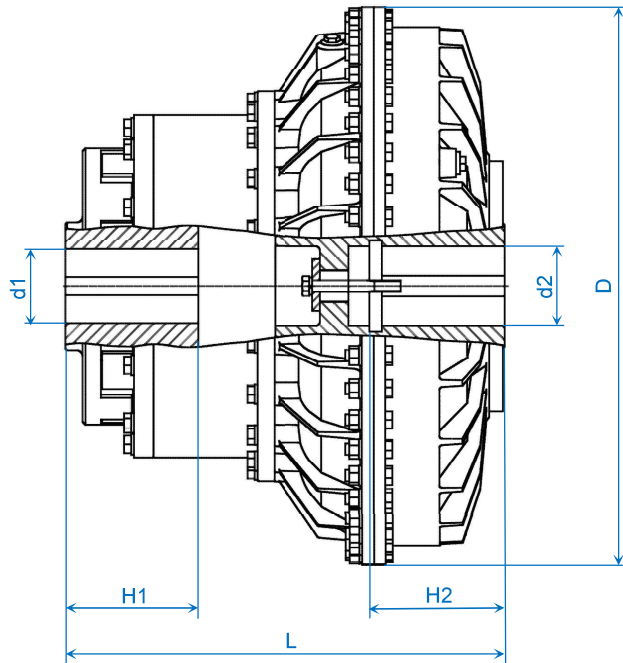


Dimensional parameter table

model	Lmin	D	D1	B	L1	input		output		oil filling capacity		Weight kg (excluding oil)	Maximum speed (r.min)
						d1max	H1max	d2max	H2max	Max.	Min.		
YOXIIZ360A	473	Ø430	Ø250	110	10	Ø55	110	Ø55	110	7.1	3.55	85	1500
YOXIIZ400A	556	Ø480	Ø315	150	10	Ø60	140	Ø70	140	9.3	4.65	120	1500
YOXIIZ450A	580	Ø530	Ø315	150	10	Ø75	140	Ø70	160	13	6.5	135	1500
YOXIIZ500A	664	Ø590	Ø400	190	15	Ø85	170	Ø90	170	19.2	9.6	185	1500
YOXIIZ560A	736	Ø650	Ø400	190	15	Ø110	210	Ø95	210	27	13.5	230	1500
YOXIIZ600A	790	Ø695	Ø500	210	15	Ø110	210	Ø110	210	36	18	330	1500
YOXIIZ650A	829	Ø740	Ø500	210	15	Ø125	225	Ø130	200	46	23	365	1500
YOXIIZ750A	940	Ø842	Ø630	265	15	Ø140	250	Ø150	250	68	34	470	1500
YOXIIZ866A	1040	Ø978	Ø630	265	20	Ø160	250	Ø150	250	111	55.5	910	1000
YOXIIZ1000A	1140	Ø1125	Ø710	300	25	Ø160	300	Ø160	280	144	72	1250	750
YOXIIZ1150A	1300	Ø1295	Ø800	340	30	Ø180	300	Ø180	300	220	110	1580	750

- ▲ 1. When H1 and H2 exceed the listed length, the length of L can be increased accordingly.
- 2. The size of the brake wheel can be customized, and the L and L1 sizes can be adjusted according to the working conditions.

External wheel drive direct-connected torque-limiting hydraulic coupling. This type of product lengthens the rear auxiliary chamber and prolongs the oil filling time of the rear auxiliary chamber into the working chamber. This structure can reduce the starting torque to a lower level and extend the starting time.

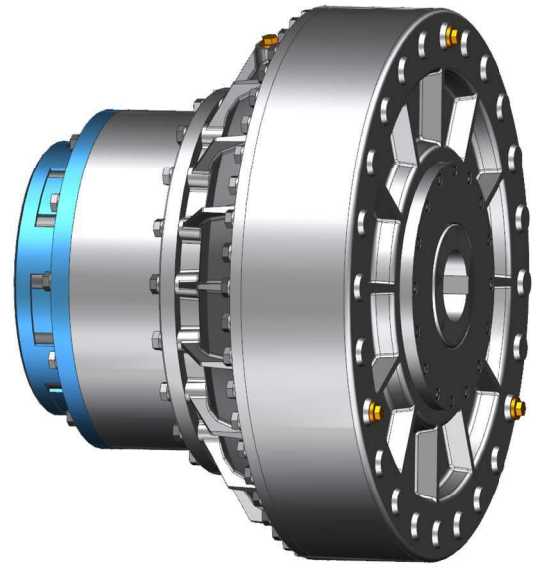
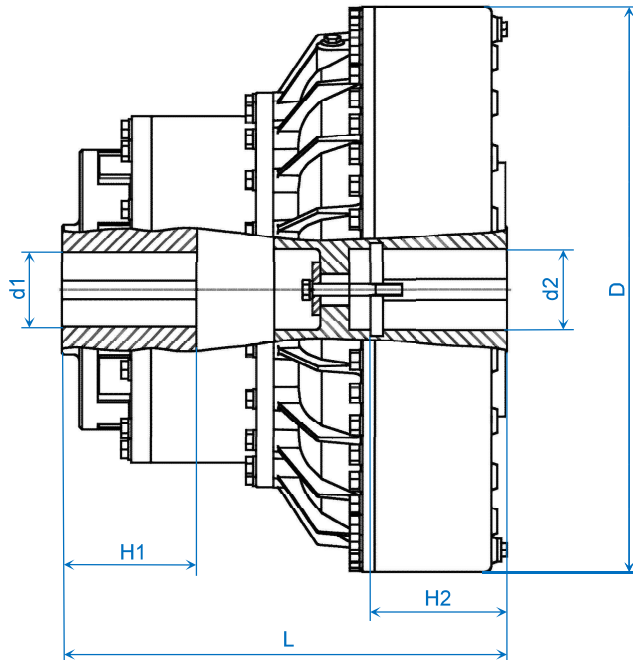


Dimensional parameter table

model	Lmin	D	input		output		oil filling capacity		Weight kg (excluding oil)	Maximum speed (r.min)
			d1max	H1max	d2max H2max		Max.	Min.		
YOXY400	390	Ø480	Ø60	140	Ø60	140	9.3	4.65	75	1500
YOXY450	445	Ø530	Ø75	140	Ø75	140	13	6.5	94	1500
YOXY500	510	Ø590	Ø85	170	Ø85	145	19.2	9.6	115	1500
YOXY560	530	Ø650	Ø95	170	Ø110	180	27	13.5	165	1500
YOXY600	575	Ø695	Ø95	170	Ø110	180	36	18	190	1500
YOXY650	650	Ø740	Ø125	225	Ø130	200	46	23	235	1500
YOXY750	690	Ø842	Ø140	250	Ø150	250	68	34	330	1500
YOXY866	820	Ø978	Ø160	250	Ø160	265	111	55.5	550	1500
YOXY1000	845	Ø1125	Ø180	250	Ø180	280	144	72	830	1000
YOXY1150	960	Ø1295	Ø180	300	Ø180	300	220	110	1140	750
YOXY1250	1030	Ø1406	Ø200	350	Ø200	350	270	135	1350	750

▲ When H1 and H2 exceed the length of the table, the length of L can be increased accordingly.

External wheel drive direct-connected torque-limiting hydraulic coupling. This type of product lengthens the rear auxiliary chamber and enlarges the side auxiliary chamber, making the filling time longer. This structure can minimize the starting torque and extend the starting time.

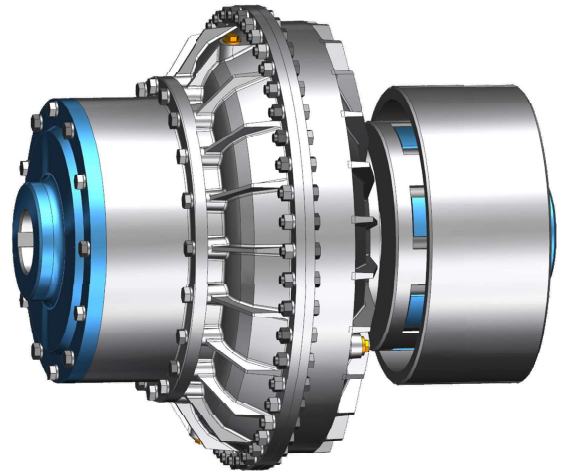
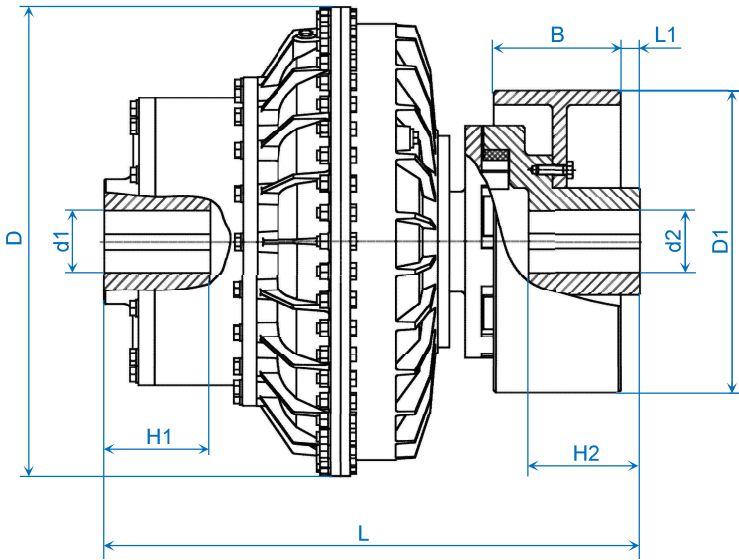


Dimensional parameter table

model	Lmin	D	input		output		oil filling capacity		Weight kg (excluding oil)	Maximum speed (r.min)
			d1max	H1max	d2max H2max		Max.	Min.		
YOXys400	390	Ø480	Ø60	140	Ø60	140	11.3	5.65	80	1500
YOXys450	445	Ø530	Ø75	140	Ø75	140	15	7.5	82	1500
YOXys500	510	Ø590	Ø85	170	Ø85	145	22.2	11.1	125	1500
YOXys560	530	Ø650	Ø95	170	Ø110	180	30	15	177	1500
YOXys600	575	Ø695	Ø95	170	Ø110	180	40	20	205	1500
YOXys650	650	Ø740	Ø125	225	Ø130	200	50	25	255	1500
YOXys750	690	Ø842	Ø140	250	Ø150	250	75	37.5	355	1500
YOXys866	820	Ø978	Ø160	250	Ø160	265	120	60	580	1500
YOXys1000	845	Ø1125	Ø180	250	Ø180	280	154	77	865	1000
YOXys1150	960	Ø1295	Ø180	300	Ø180	300	235	118	1180	750
YOXys1250	1030	Ø1406	Ø200	350	Ø200	350	290	145	1400	750

▲ When H1 and H2 exceed the length of the table, the length of L can be increased accordingly.

External wheel drive brake wheel type torque limiting hydraulic coupling. This type of product increases the braking function and lengthens the rear auxiliary chamber, reducing the starting torque and extending the starting time. This type of coupling has a long axial dimension and should be aligned strictly according to regulations.

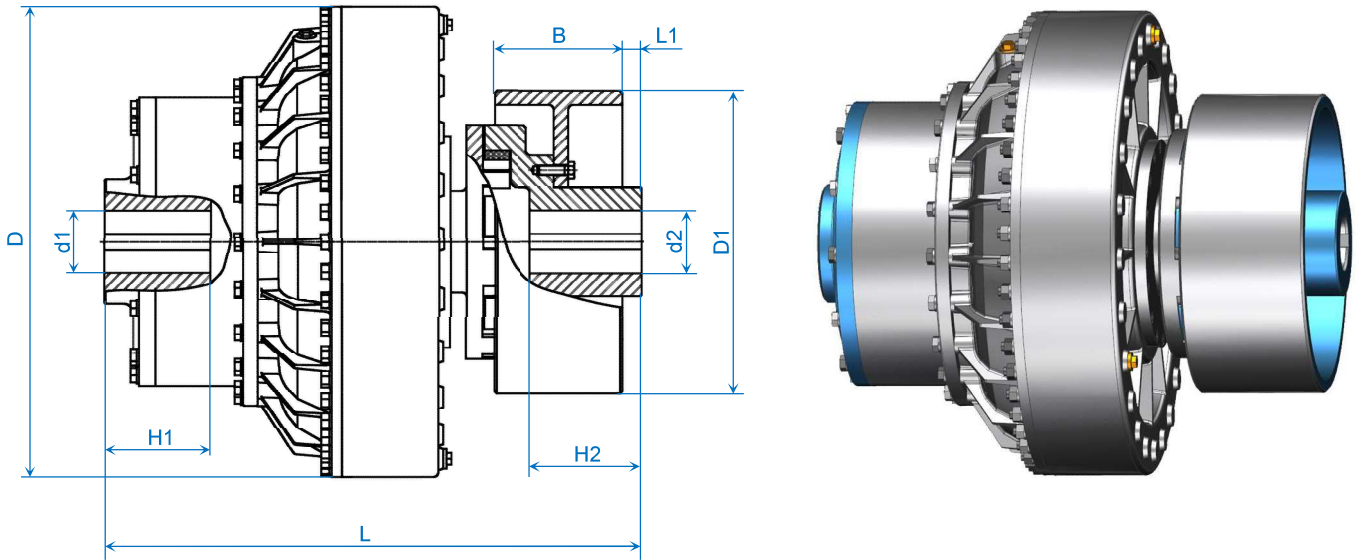


Dimensional parameter table

model	Lmin	D	D1	B	L1	input		output		oil filling capacity		Weight kg (excluding oil)	Maximum speed (r.min)
						d1max	H1max	d2max	H2max	Max.	Min.		
YOXYZ400	557	Ø480	Ø315	150	10	Ø60	140	Ø70	140	9.3	4.65	125	1500
YOXYZ450	581	Ø530	Ø315	150	10	Ø75	140	Ø70	160	13	6.5	142	1500
YOXYZ500	672	Ø590	Ø400	190	15	Ø85	170	Ø90	170	19.2	9.6	193	1500
YOXYZ560	770	Ø650	Ø400	190	15	Ø110	210	Ø95	210	27	13.5	240	1500
YOXYZ600	845	Ø695	Ø500	210	15	Ø110	210	Ø110	210	36	18	340	1500
YOXYZ650	914	Ø740	Ø500	210	15	Ø125	225	Ø130	200	46	23	380	1500
YOXYZ750	970	Ø842	Ø630	265	15	Ø140	250	Ø150	250	68	34	490	1500
YOXYZ866	1102	Ø978	Ø630	265	20	Ø160	250	Ø150	250	111	55.5	935	1000

- ▲ 1. When H1 and H2 exceed the listed length, the length of L can be increased accordingly.
- 2. The size of the brake wheel can be customized, and the L and L1 sizes can be adjusted according to the working conditions.

External wheel drive brake wheel type torque limiting hydraulic coupling. This type of product adds braking function and lengthens the rear auxiliary chamber and enlarges the side auxiliary chamber, minimizing the starting torque and prolonging the starting time. This type of coupling has a long axial dimension and should be aligned strictly according to regulations.

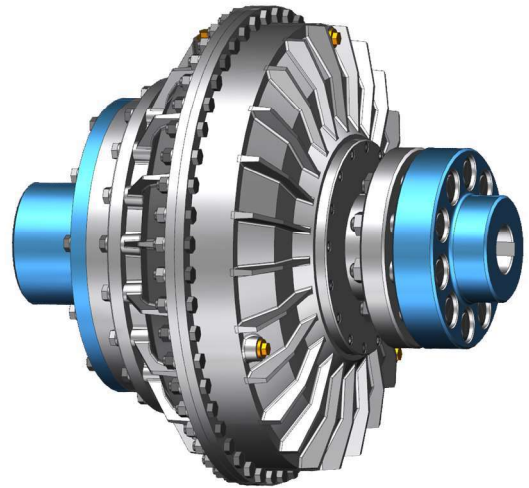
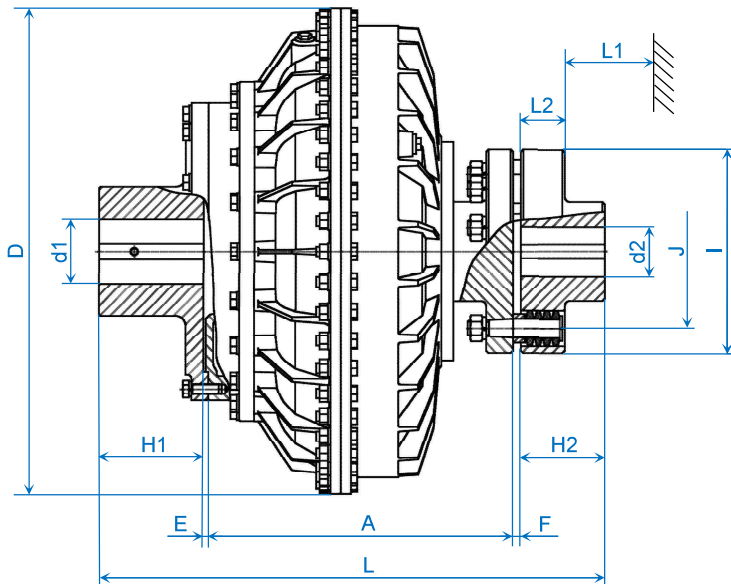


Dimensional parameter table

model	Lmin	D	D1	B	L1	input		output		oil filling capacity		Weight kg (excluding oil)	Maximum speed (r.min)
						d1max	H1max	d2max	H2max	Max.	Min.		
YOXysz400	557	Ø480	Ø315	150	10	Ø60	140	Ø70	140	11.3	5.65	130	1500
YOXysz450	581	Ø530	Ø315	150	10	Ø75	140	Ø70	160	15	7.5	150	1500
YOXysz500	672	Ø590	Ø400	190	15	Ø85	170	Ø90	170	22.2	11.1	203	1500
YOXysz560	770	Ø650	Ø400	190	15	Ø110	210	Ø95	210	30	15	252	1500
YOXysz600	845	Ø695	Ø500	210	15	Ø110	210	Ø110	210	40	20	355	1500
YOXysz650	914	Ø740	Ø500	210	15	Ø125	225	Ø130	200	50	25	400	1500
YOXysz750	970	Ø842	Ø630	265	15	Ø140	250	Ø150	250	75	37.5	515	1500
YOXysz866	1102	Ø978	Ø630	265	20	Ø160	250	Ø150	250	120	60	965	1000

- ▲ 1. When H1 and H2 exceed the listed length, the length of L can be increased accordingly.
- 2. The size of the brake wheel can be customized, and the L and L1 sizes can be adjusted according to the working conditions.

External wheel drive torque-limiting hydraulic coupling. Such products are easy to install and align, and can be disassembled without moving the working machine. This type of coupling has a long axial dimension and should be aligned strictly according to regulations.

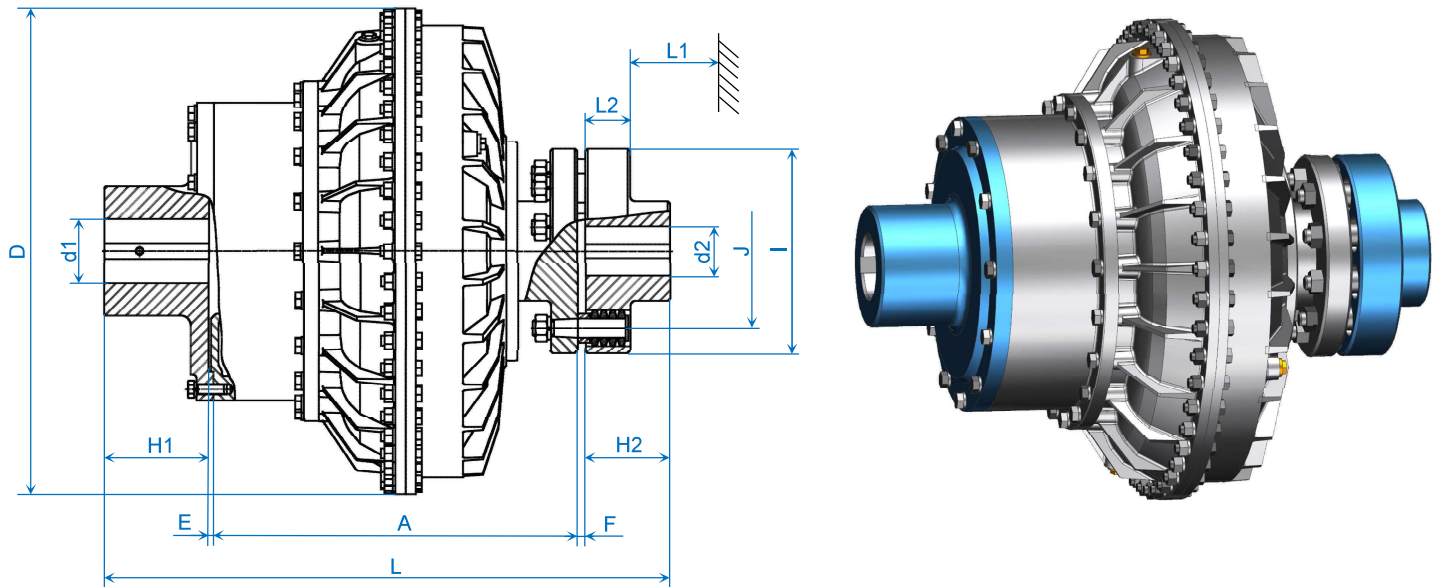


Dimensional parameter table

model	D	A	E	F	L1	L2	I	J	d1max	d2max	oil filling capacity		Weight kg (excluding oil)	Maximum speed (r.min)
											Max.	Min.		
YOXE360	Ø430	272	5	6	45	60	Ø190	Ø140	Ø55	Ø55	7.1	3.55	70	1500
YOXE400	Ø480	329	5	6	45	60	Ø190	Ø140	Ø60	Ø60	9.3	4.65	80	1500
YOXE420	Ø495	329	5	6	45	60	Ø190	Ø140	Ø60	Ø60	12	6	86	1500
YOXE450	Ø530	372	6	6	45	60	Ø220	Ø170	Ø75	Ø70	13	6.5	115	1500
YOXE500	Ø590	367	5	6	55	70	Ø260	Ø195	Ø85	Ø85	19.2	9.6	150	1500
YOXE560	Ø650	438	6	8	55	80	Ø285	Ø215	Ø110	Ø100	27	13.5	205	1500
YOXE600	Ø695	464	6	10	70	95	Ø310	Ø230	Ø110	Ø90	36	18	240	1500
YOXE650	Ø740	474	5	6	70	95	Ø310	Ø230	Ø110	Ø90	46	23	285	1500
YOXE750	Ø842	540	6	6	90	110	Ø360	Ø265	Ø120	Ø105	68	34	435	1500
YOXE866	Ø978	617	7	12	90	110	Ø410	Ø310	Ø160	Ø160	111	55.5	690	1000
YOXE1000	Ø1125	729	10	12	108	170	Ø570	Ø450	Ø160	Ø160	144	72	930	750
YOXE1150	Ø1295	830	8	12	130	170	Ø570	Ø450	Ø180	Ø240	220	110	1270	750

- ▲ 1. The total length $L = H1 + E + A + F + H2$, the resulting size is the shortest size and can be lengthened.
- 2. The L2 position in the picture cannot be shorter than the parameter size, otherwise the elastic pin cannot be directly disassembled without moving the working machine.

External wheel drive torque-limiting hydraulic coupling. On the basis of easy installation, alignment and disassembly, this type of product has a longer rear auxiliary chamber, reduces the starting torque and extends the starting time. This type of coupling has a long axial dimension and should be aligned strictly according to regulations.

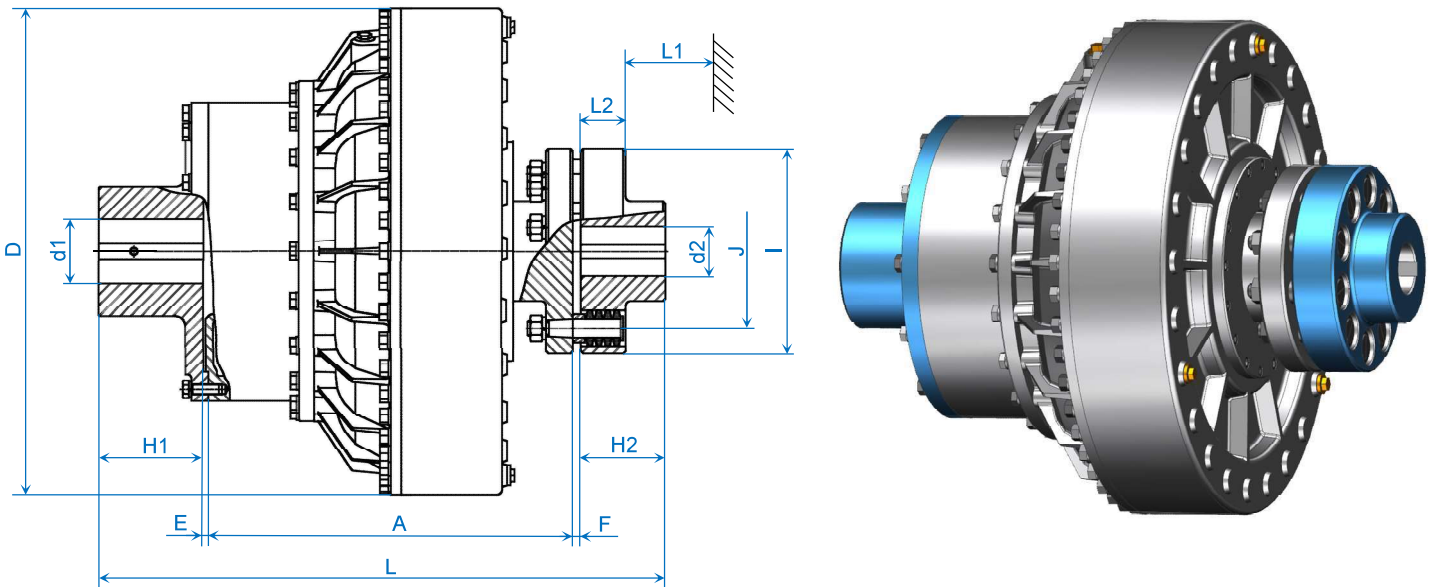


Dimensional parameter table

model	D	A	E	F	L1	L2	I	J	d1max	d2max	oil filling capacity		Weight kg (excluding oil)	Maximum speed (r.min)
											Max.	Min.		
YOXYE400	Ø480	377	5	6	45	55	Ø190	Ø140	Ø60	Ø60	9.3	4.65	85	1500
YOXYE450	Ø530	420	6	6	45	55	Ø220	Ø170	Ø75	Ø70	13	6.5	122	1500
YOXYE500	Ø590	466	5	6	55	70	Ø260	Ø195	Ø85	Ø85	19.2	9.6	158	1500
YOXYE560	Ø650	498	6	8	55	80	Ø285	Ø215	Ø110	Ø100	27	13.5	215	1500
YOXYE600	Ø695	550	6	10	70	95	Ø310	Ø230	Ø110	Ø90	36	18	250	1500
YOXYE650	Ø740	588	5	6	70	95	Ø310	Ø230	Ø110	Ø90	46	23	300	1500
YOXYE750	Ø842	676	6	6	90	110	Ø360	Ø265	Ø120	Ø105	68	34	455	1500
YOXYE866	Ø978	765	7	12	90	110	Ø410	Ø310	Ø160	Ø160	111	55.5	715	1000
YOXYE1000	Ø1125	857	10	12	108	210	Ø570	Ø450	Ø160	Ø160	144	72	960	750

- ▲ 1. The total length $L=H1+E+A+F+H2$, the resulting size is the shortest size and can be lengthened.
- 2. The L2 position in the picture cannot be shorter than the parameter size, otherwise the elastic pin cannot be directly disassembled without moving the working machine.

External wheel drive torque-limiting hydraulic coupling. On the basis of easy installation, alignment and disassembly, this type of product has a longer rear auxiliary chamber and an enlarged side auxiliary chamber, minimizing the starting torque and prolonging the starting time. This type of coupling has a long axial dimension and should be aligned strictly according to regulations.

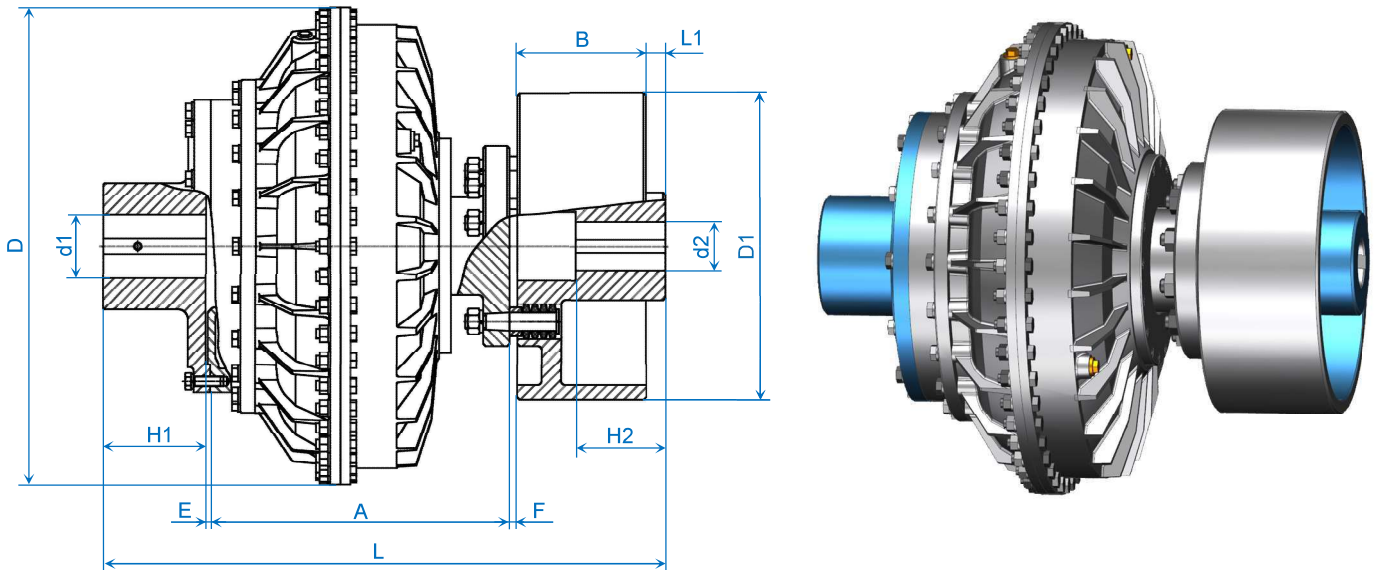


Dimensional parameter table

model	D	A	E	F	L1	L2	I	J	d1max	d2max	oil filling capacity		Weight kg (excluding oil)	Maximum speed (r.min)
											Max.	Min.		
YOXYSE400	Ø480	377	5	6	45	55	Ø190	Ø140	Ø60	Ø60	11.3	5.65	90	1500
YOXYSE450	Ø530	420	6	6	45	55	Ø220	Ø170	Ø75	Ø70	15	7.5	130	1500
YOXYSE500	Ø590	466	5	6	55	70	Ø260	Ø195	Ø85	Ø85	22.2	11.1	168	1500
YOXYSE560	Ø650	498	6	8	55	80	Ø285	Ø215	Ø110	Ø100	30	15	227	1500
YOXYSE600	Ø695	550	6	10	70	95	Ø310	Ø230	Ø110	Ø90	40	20	265	1500
YOXYSE650	Ø740	588	5	6	70	95	Ø310	Ø230	Ø110	Ø90	50	25	320	1500
YOXYSE750	Ø842	676	6	6	90	110	Ø360	Ø265	Ø120	Ø105	75	37.5	480	1500
YOXYSE866	Ø978	765	7	12	90	110	Ø410	Ø310	Ø160	Ø160	120	60	745	1000

- ▲ 1. The total length $L=H1+E+A+F+H2$, the resulting size is the shortest size and can be lengthened.
- 2. The L2 position in the picture cannot be shorter than the parameter size, otherwise the elastic pin cannot be directly disassembled without moving the working machine.

External wheel drive brake wheel type torque limiting hydraulic coupling. This kind of product adds braking function on the basis of easy installation, alignment and disassembly. This type of coupling has a long axial dimension and should be aligned strictly according to regulations.

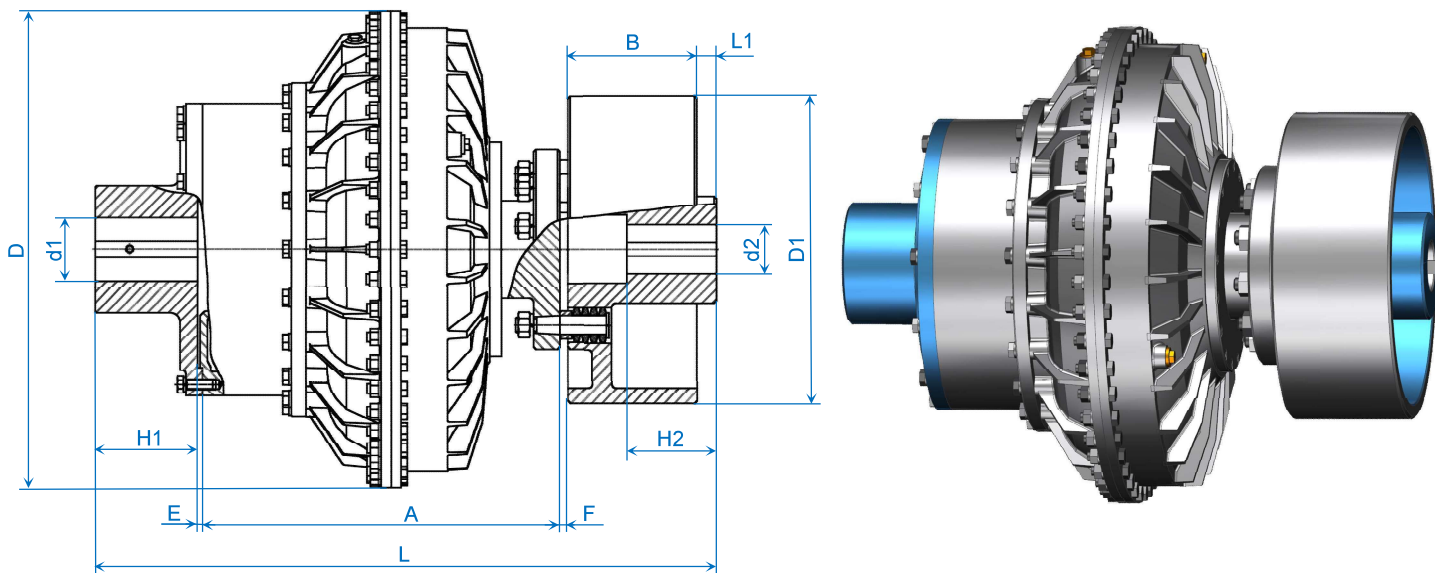


Dimensional parameter table

model	D	A	E	F	D1	B	L1	oil filling capacity		Weight kg (excluding oil)	Maximum speed (r.min)
								Max.	Min.		
YOXEZL400	Ø480	329	5	6	Ø315	150	10	9.3	4.65	100	1500
YOXEZL420	Ø495	329	5	6	Ø315	150	10	12	6	106	1500
YOXEZL450	Ø530	372	6	6	Ø315	150	10	13	6.5	135	1500
YOXEZL500	Ø590	367	5	6	Ø400	190	15	19.2	9.6	185	1500
YOXEZL560	Ø650	438	6	8	Ø400	190	15	27	13.5	240	1500
YOXEZL600	Ø695	464	6	10	Ø500	210	15	36	18	340	1500
YOXEZL650	Ø740	474	5	6	Ø500	210	15	46	23	385	1500
YOXEZL750	Ø842	540	6	6	Ø630	265	15	68	34	565	1500
YOXEZL866	Ø978	617	7	12	Ø630	265	20	111	55.5	820	1000

- ▲ 1. The total length $L=H1+E+A+F+B+L1$, the resulting size is the shortest size.
- 2. The size of the brake wheel can be customized, and the L and L1 sizes can be adjusted according to the working conditions.

External wheel drive brake wheel type torque limiting hydraulic coupling. On the basis of being easy to install, align and disassemble, this type of product adds a braking function and lengthens the rear auxiliary chamber, reducing the starting torque and extending the starting time. This type of coupling has a long axial dimension and should be aligned strictly according to regulations.

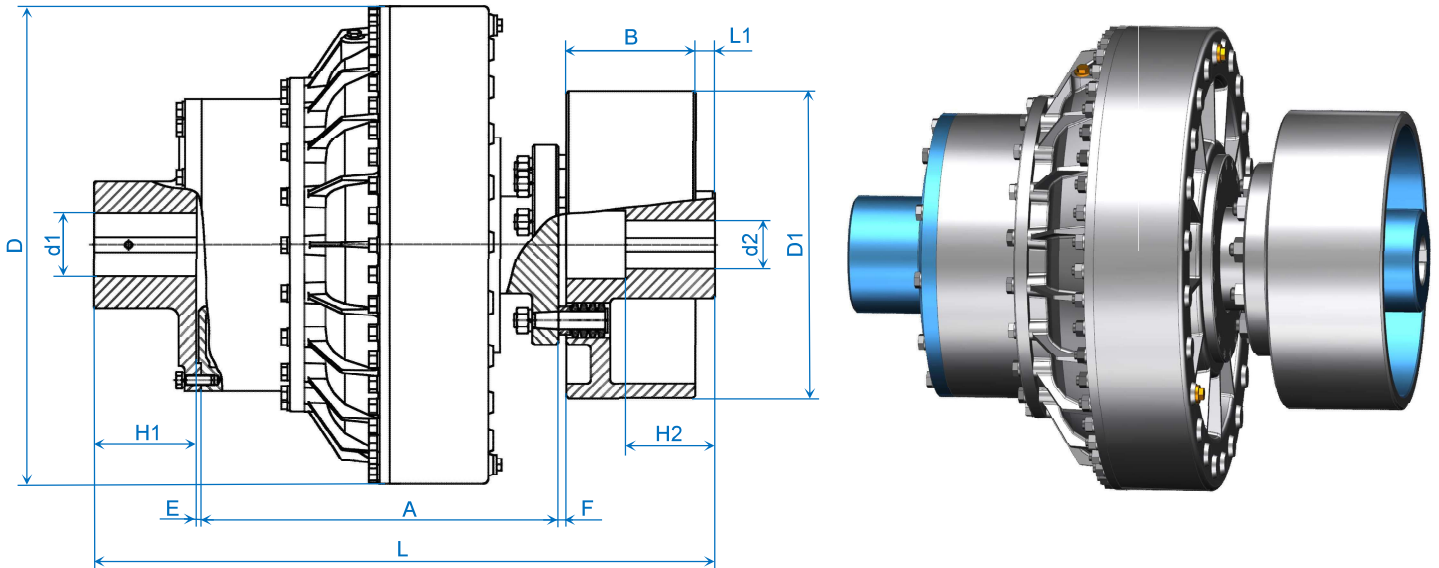


Dimensional parameter table

model	D	A	E	F	D1	B	L1	oil filling capacity		Weight kg (excluding oil)	Maximum speed (r.min)
								Max.	Min.		
YOXYEZ400	Ø480	377	5	6	Ø315	150	10	9.3	4.65	105	1500
YOXYEZ450	Ø530	420	6	6	Ø315	150	10	13	6.5	142	1500
YOXYEZ500	Ø590	466	5	6	Ø400	190	15	19.2	9.6	193	1500
YOXYEZ560	Ø650	498	6	8	Ø400	190	15	27	13.5	250	1500
YOXYEZ600	Ø695	550	6	10	Ø500	210	15	36	18	350	1500
YOXYEZ650	Ø740	588	5	6	Ø500	210	15	46	23	400	1500
YOXYEZ750	Ø842	676	6	6	Ø630	265	15	68	34	585	1500
YOXYEZ866	Ø978	765	7	12	Ø630	265	20	111	55.5	845	1000

- ▲ 1. The total length $L=H1+E+A+F+B+L1$, the resulting size is the shortest size.
- 2. The size of the brake wheel can be customized, and the L and L1 sizes can be adjusted according to the working conditions.

External wheel drive brake wheel type torque limiting hydraulic coupling. On the basis of easy installation, alignment and disassembly, this type of product adds a braking function, and at the same time lengthens the rear auxiliary chamber and enlarges the side auxiliary chamber to minimize the starting torque and extend the starting time. This type of coupling has a long axial dimension and should be aligned strictly according to regulations.

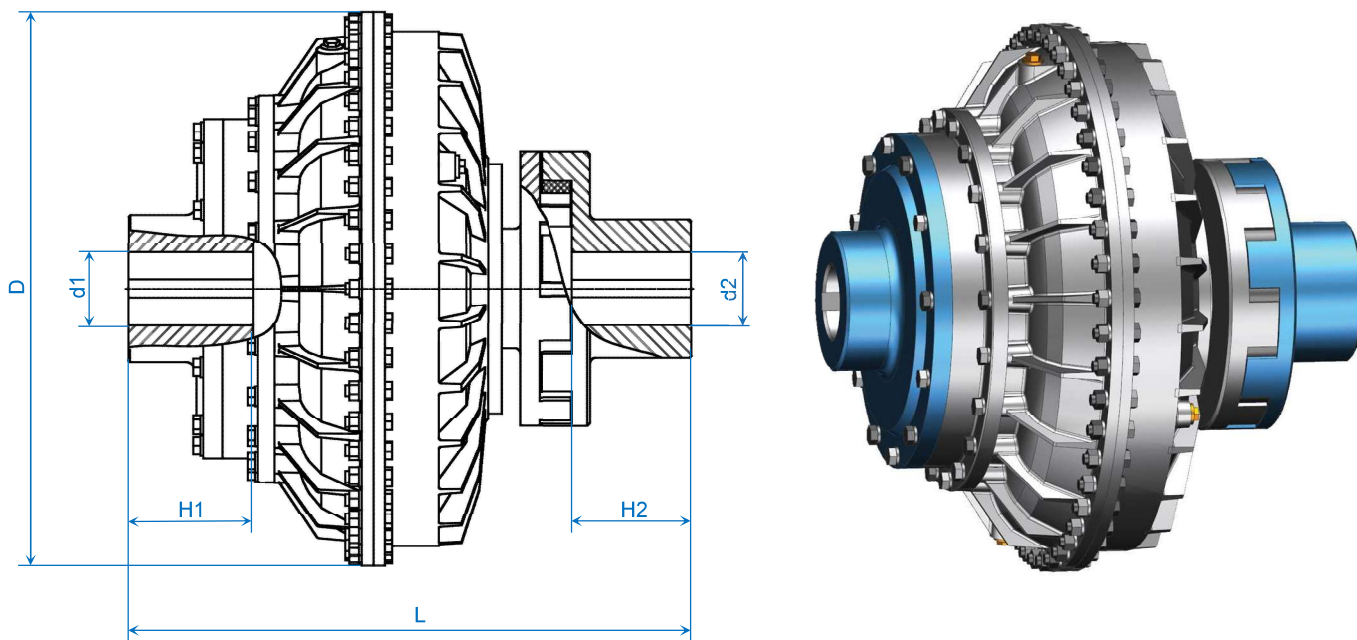


Dimensional parameter table

model	D	A	E	F	D1	B	L1	oil filling capacity		Weight kg (excluding oil)	Maximum speed (r.min)
								Max.	Min.		
YOXYSEZ400	Ø480	377	5	6	Ø315	150	10	11.3	5.65	110	1500
YOXYSEZ450	Ø530	420	6	6	Ø315	150	10	15	7.5	150	1500
YOXYSEZ500	Ø590	466	5	6	Ø400	190	15	22.2	11.1	203	1500
YOXYSEZ560	Ø650	498	6	8	Ø400	190	15	30	15	262	1500
YOXYSEZ600	Ø695	550	6	10	Ø500	210	15	40	20	365	1500
YOXYSEZ650	Ø740	588	5	6	Ø500	210	15	50	25	420	1500
YOXYSEZ750	Ø842	676	6	6	Ø630	265	15	75	37.5	610	1500
YOXYSEZ866	Ø978	765	7	12	Ø630	265	20	120	60	875	1000

- ▲ 1. The total length $L=H1+E+A+F+B+L1$, the resulting size is the shortest size.
- 2. The size of the brake wheel can be customized, and the L and L1 sizes can be adjusted according to the working conditions.

External wheel drive torque-limiting hydraulic coupling. The motor shaft of this type of product is connected to the coupling input coupling, making it easy to install and disassemble. This type of coupling has a long axial dimension and should be aligned strictly according to regulations.



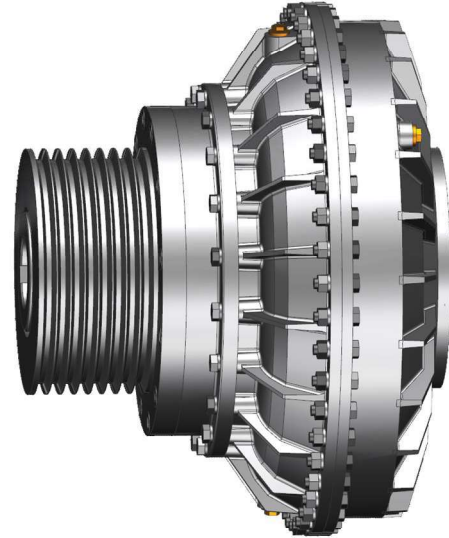
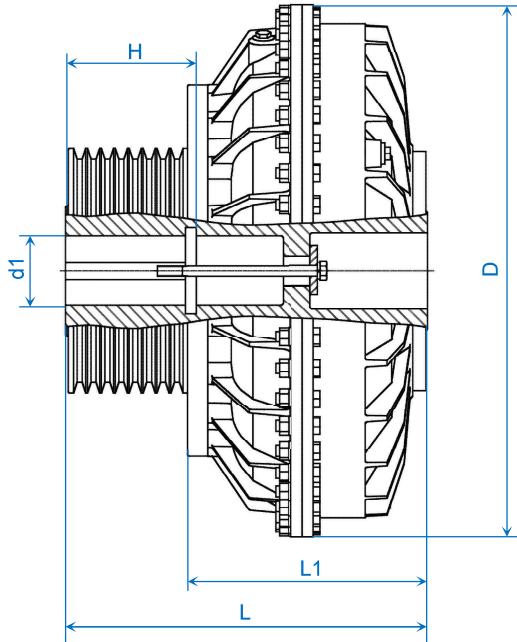
Dimensional parameter table

model	Lmin	D	输入端		输出端		oil filling capacity		Weight kg (excluding oil)	Maximum speed (r.min)
			d1max	H1max	d2max	H2max	Max.	Min.		
YOXI360A	473	Ø430	Ø55	110	Ø55	110	7.1	3.55	90	1500
YOXI400A	556	Ø480	Ø60	140	Ø70	140	9.3	4.65	105	1500
YOXI450A	580	Ø530	Ø75	140	Ø70	160	13	6.5	120	1500
YOXI500A	664	Ø590	Ø85	170	Ø90	170	19.2	9.6	163	1500
YOXI560A	736	Ø650	Ø110	210	Ø95	210	27	13.5	210	1500
YOXI600A	790	Ø695	Ø110	210	Ø110	210	36	18	290	1500
YOXI650A	829	Ø740	Ø125	225	Ø130	200	46	23	330	1500
YOXI750A	940	Ø842	Ø140	250	Ø150	250	68	34	400	1500
YOXI866A	1040	Ø978	Ø160	250	Ø150	250	111	55.5	720	1000
YOXI1000A	1140	Ø1125	Ø160	300	Ø160	280	144	72	980	750

▲ 1. When H1 and H2 exceed the listed length, the length of L can be increased accordingly.

YOXR、YOXL

Inner wheel drive pulley type torque limiting hydraulic coupling. The pulley of this type of product is at the same end as the motor, which is suitable for parallel transmission mechanical equipment.



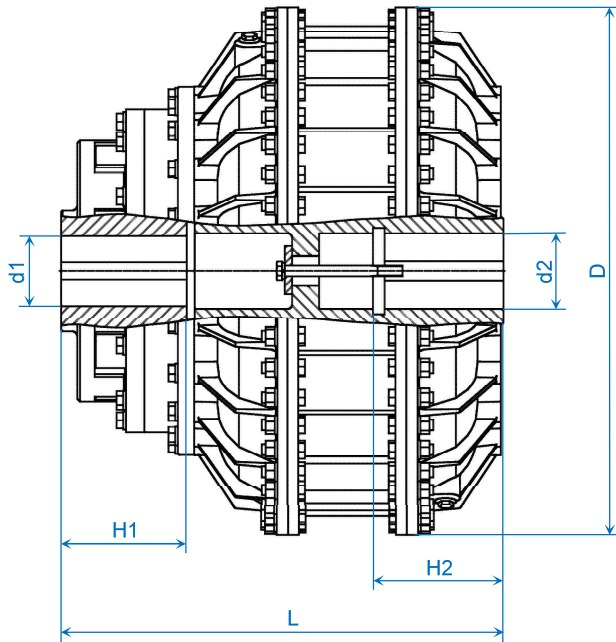
Dimensional parameter table

model	L1	D	input		output		Weight kg (excluding oil)	Maximum speed (r.min)
			d1max	Hmax	Max.	Min.		
YOXR250	140	Ø300	Ø38	60	1.8	0.9	25	1500
YOXR280	175	Ø246	Ø38	80	2.8	1.4	35	1500
YOXR320	187	Ø388	Ø48	110	5.2	2.6	55	1500
YOXR340	159	Ø390	Ø48	110	5.8	2.9	65	1500
YOXR360	202	Ø430	Ø55	110	7.1	3.55	80	1500
YOXR380	189	Ø450	Ø60	140	8.4	4.2	95	1500
YOXR400	225	Ø480	Ø60	140	9.3	4.65	100	1500
YOXR420	224	Ø495	Ø60	140	12	6	105	1500
YOXR450	259	Ø530	Ø75	140	13	6.5	110	1500
YOXR500	278	Ø590	Ø85	170	19.2	9.6	145	1500
YOXR560	283	Ø650	Ø95	170	27	13.5	195	1500
YOXR600	309	Ø695	Ø95	170	36	18	230	1500
YOXR650	326	Ø740	Ø125	225	46	23	270	1500
YOXR750	380	Ø842	Ø140	250	68	34	360	1500

- ▲ 1. Total length $L=L1$ +pulley width.
- 2. When installing this type of product, it is necessary to drill a threaded hole in the center of the motor shaft so that the tightening bolt can be used to tighten the coupling and the motor shaft.

YOXSQ

External wheel drive direct-connected double-chamber torque-limiting hydraulic coupling. This type of product has two working chambers, and the transmission power is twice that of a single working chamber hydraulic coupling. Mainly used in situations subject to space constraints or high power and high speed.

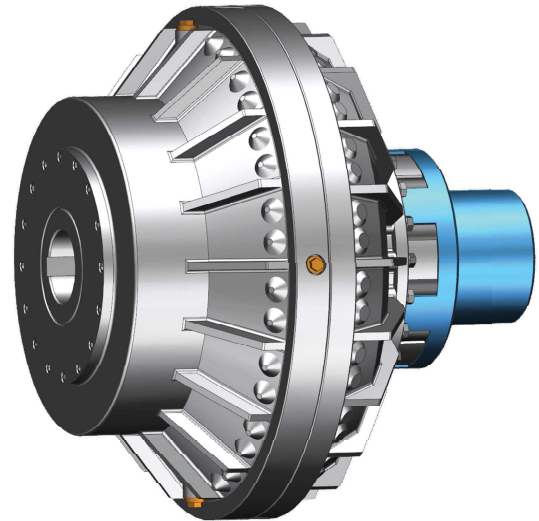
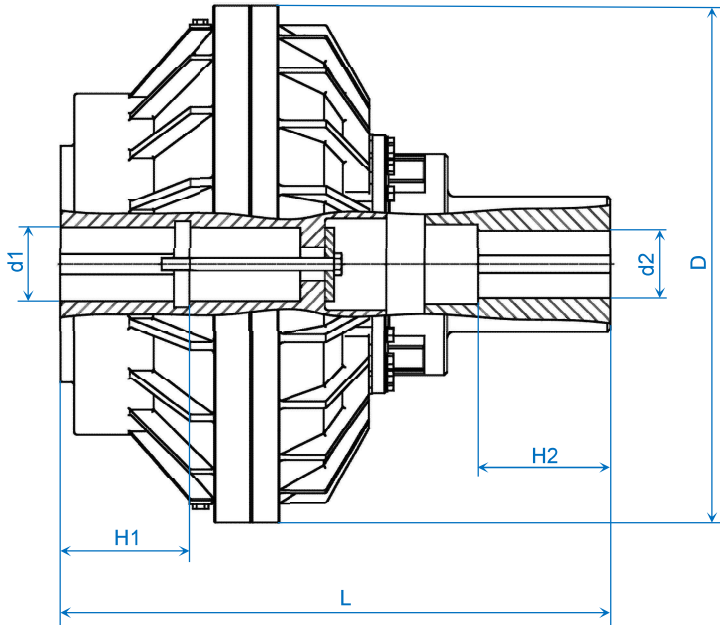


Dimensional parameter table

model	Lmin	D	input		output		oil filling capacity		Weight kg (excluding oil)	Maximum speed (r.min)
			d1max	H1max	d2max H2max		Max.	Min.		
YOXSQ400	470	Ø480	Ø60	140	Ø60	140	18	9	120	1500
YOXSQ450	500	Ø530	Ø75	140	Ø75	140	25	12.5	140	1500
YOXSQ500	560	Ø590	Ø85	170	Ø85	145	36	18	180	1500
YOXSQ560	610	Ø650	Ø95	170	Ø110	180	50	25	260	1500
YOXSQ600	640	Ø695	Ø95	170	Ø110	180	70	35	300	1500
YOXSQ650	710	Ø740	Ø125	225	Ø130	200	90	45	400	1500
YOXSQ750	800	Ø842	Ø150	250	Ø150	250	128	64	650	1500
YOXSQ866	895	Ø978	Ø180	300	Ø160	265	220	110	800	1500
YOXSQ920	1010	Ø1125	Ø190	300	Ø190	300	280	140	955	1000

▲ When H1 and H2 exceed the length of the table, the length of L can be increased accordingly.

Inner wheel drive direct-connected torque-limiting hydraulic coupling. This type of product is a composite leakage hydraulic coupling, which is loaded by the motor end. This model can be selected when the reducer shaft is too thin to avoid breakage of the reducer shaft.

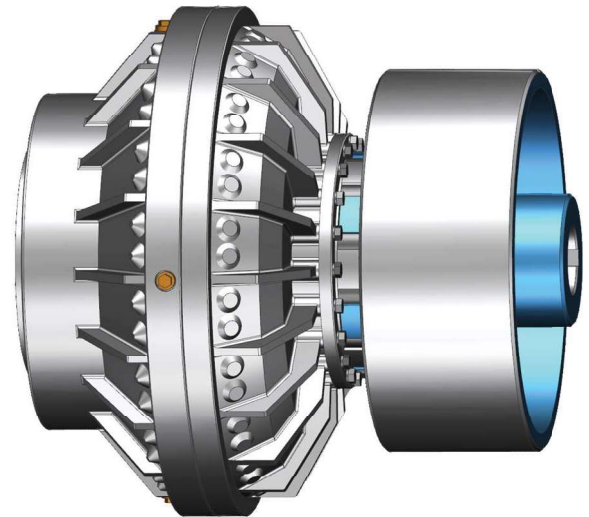
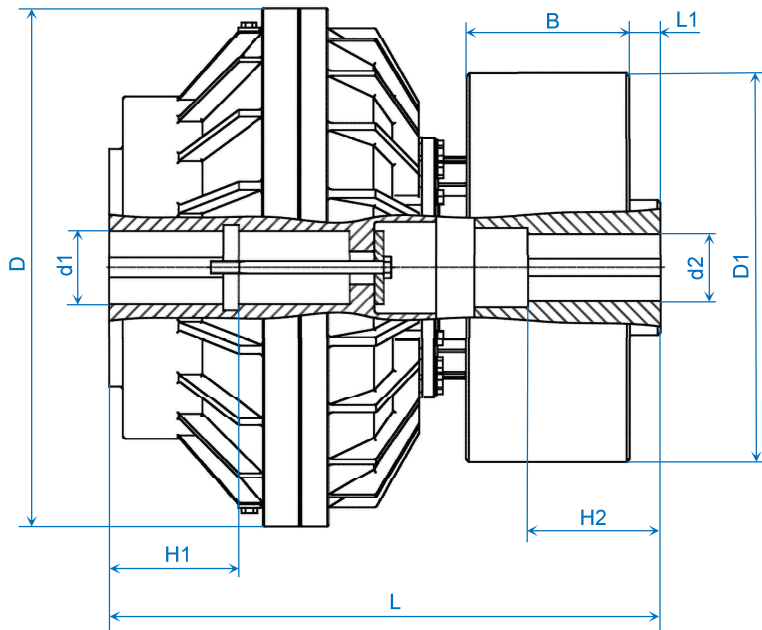


Dimensional parameter table

model	Lmin	D	input		output		oil filling capacity		Weight kg (excluding oil)	Maximum speed (r.min)
			d1max	H1max	d2max H2max		Max.	Min.		
YOXF360	445	Ø432	Ø55	110	Ø60	140	7.1	3.55	60	1500
YOXF400	470	Ø480	Ø60	140	Ø70	140	9.3	4.65	75	1500
YOXF450	500	Ø520	Ø75	140	Ø70	160	13	6.5	95	1500
YOXF500	580	Ø580	Ø85	170	Ø90	170	19.2	9.6	120	1500
YOXF560	650	Ø635	Ø110	210	Ø100	210	27	13.5	180	1500
YOXF600	670	Ø686	Ø110	210	Ø110	210	36	18	220	1500
YOXF650	680	Ø758	Ø125	210	Ø130	210	46	23	260	1500
YOXF750	830	Ø842	Ø140	250	Ø150	250	68	34	350	1500

▲ The L length dimensions listed in the table can be adjusted according to working conditions.

Inner wheel drive brake wheel type torque limiting hydraulic coupling. This type of product is a composite leakage hydraulic coupling with added braking function. The motor shaft is directly connected to the coupling shaft, with good centering and stable operation.



Dimensional parameter table

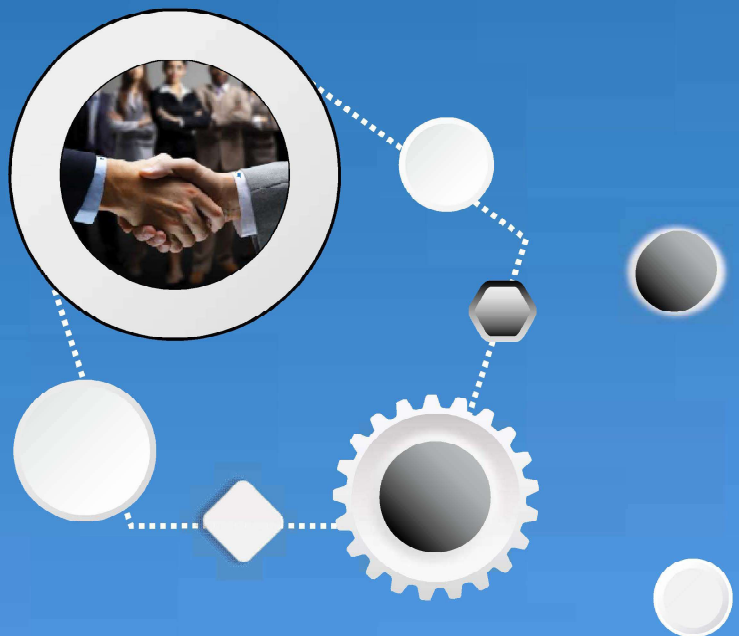
model	Lmin	D	D1	B	L1	input		output		oil filling capacity		Weight kg (excluding oil)	Maximum speed (r.min)
						d1max	H1max	d2max	H2max	Max.	Min.		
YOXFZ360	445	Ø432	Ø315	150	45	Ø55	110	Ø60	140	7.1	3.55	80	1500
YOXFZ400	470	Ø480	Ø315	150	45	Ø60	140	Ø70	140	9.3	4.65	95	1500
YOXFZ450	500	Ø520	Ø315	150	5	Ø75	140	Ø70	160	13	6.5	115	1500
YOXFZ500	580	Ø580	Ø400	190	10	Ø85	170	Ø90	170	19.2	9.6	150	1500
YOXFZ560	650	Ø635	Ø400	190	10	Ø110	210	Ø100	210	27	13.5	210	1500
YOXFZ600	670	Ø686	Ø500	210	15	Ø110	210	Ø110	210	36	18	270	1500
YOXFZ650	680	Ø758	Ø500	210	20	Ø125	210	Ø130	210	46	23	310	1500
YOXFZ750	889	Ø842	Ø630	265	85	Ø140	250	Ø150	250	68	34	420	1500

▲ The size of the brake wheel can be customized, and the L and L1 sizes can be adjusted according to the working conditions.

■ People-oriented, quality and credibility

- Quality first, customer first; complement each other to create prosperity.
- Reform is pragmatic, people-oriented, united and enterprising.
- Create attractive quality and create a loyal customer base.





Tel:+86 18642871678
Email: info@mrscouplings.com
Website: WWW.mrscouplings.com